

STANDARD BUSHING ASSEMBLIES FOR DISTRIBUTION TRANSFORMERS 15kV CLASS, 110kV B.I.L.

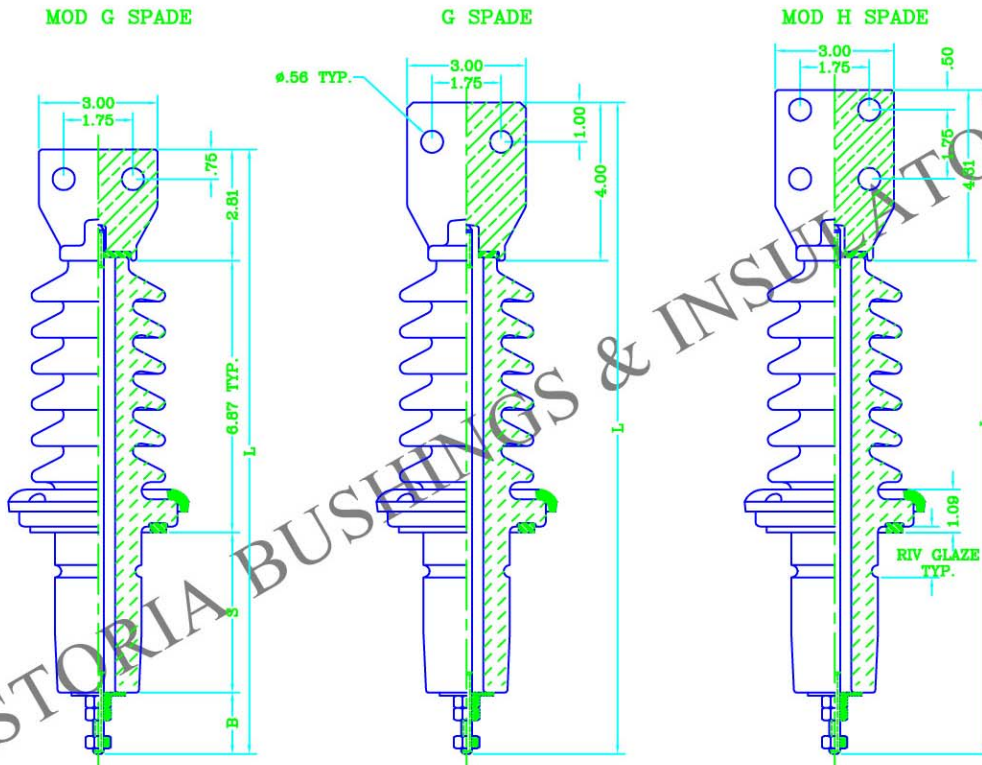
For Mounting in 2.25" D. Tank Hole.

Leakage Distance Ext. Clamped 11" min., Int. Clamped 12.5" min.

The electrical ratings given are based on use in a liquid filled transformer with the lower end of the bushing under oil level. Bushing is produced of top quality electrical grade wet process porcelain. Gray glaze is standard unless otherwise specified.

Nitrile (Buna-N) gasket is standard. For ordering assemblies with the cork and rubber composition gaskets, add the suffix "C" to the part number.

All spade castings consist of 95% min. conductivity copper and are tin-plated. Bushings can be furnished upon request at a discounted price, with spades made of lower conductivity copper alloys such as brass, bronze, etc.



For clamp pattern, refer to bushing assemblies with eyebolt connectors.

SPADE DIM. CHANGES
REV. 1, JUNE 1996

PART NO.		STUD SIZE AND THREAD	CURRENT RATING	SPADE CONNECTOR		DIMENSIONS IN INCHES		
EXT.	INT.			TYPE	THICKNESS	L	S	B
342130	342230	.375-16 UNC-2A	125 A	MOD. G	0.25	15.27	4.09	1.50
342131	342231	.375-16 UNC-2A	125 A	MOD. G	0.25	19.02	7.84	1.50
342132	342232	.500-13 UNC-2A	208 A	MOD. G	0.25	15.40	4.09	1.63
342133	342233	.500-13 UNC-2A	208 A	MOD. G	0.25	19.15	7.84	1.63
342134	342234	.625-18 UNF-2A	417 A	MOD. G	0.25	15.58	4.09	1.81
342135	342235	.625-18 UNF-2A	417 A	MOD. G	0.25	19.33	7.84	1.81
342136	342236	.750-16 UNF-2A	600 A	MOD. G	0.25	15.72	4.09	1.94
342137	342237	.750-16 UNF-2A	600 A	MOD. G	0.25	19.47	7.84	1.94
342144	342244	.625-18 UNF-2A	417 A	G	0.25	16.77	4.09	1.81
342145	342245	.625-18 UNF-2A	417 A	G	0.25	20.52	7.84	1.81
342146	342246	.750-16 UNF-2A	600 A	G	0.25	16.90	4.09	1.94
342147	342247	.750-16 UNF-2A	600 A	G	0.25	20.65	7.84	1.94
342152	342252	.500-13 UNC-2A	208 A	MOD. H	0.25	16.90	4.09	1.63
342153	342253	.500-13 UNC-2A	208 A	MOD. H	0.25	20.65	7.84	1.63
342154	342254	.625-18 UNF-2A	417 A	MOD. H	0.25	17.08	4.09	1.81
342155	342255	.625-18 UNF-2A	417 A	MOD. H	0.25	20.83	7.84	1.81