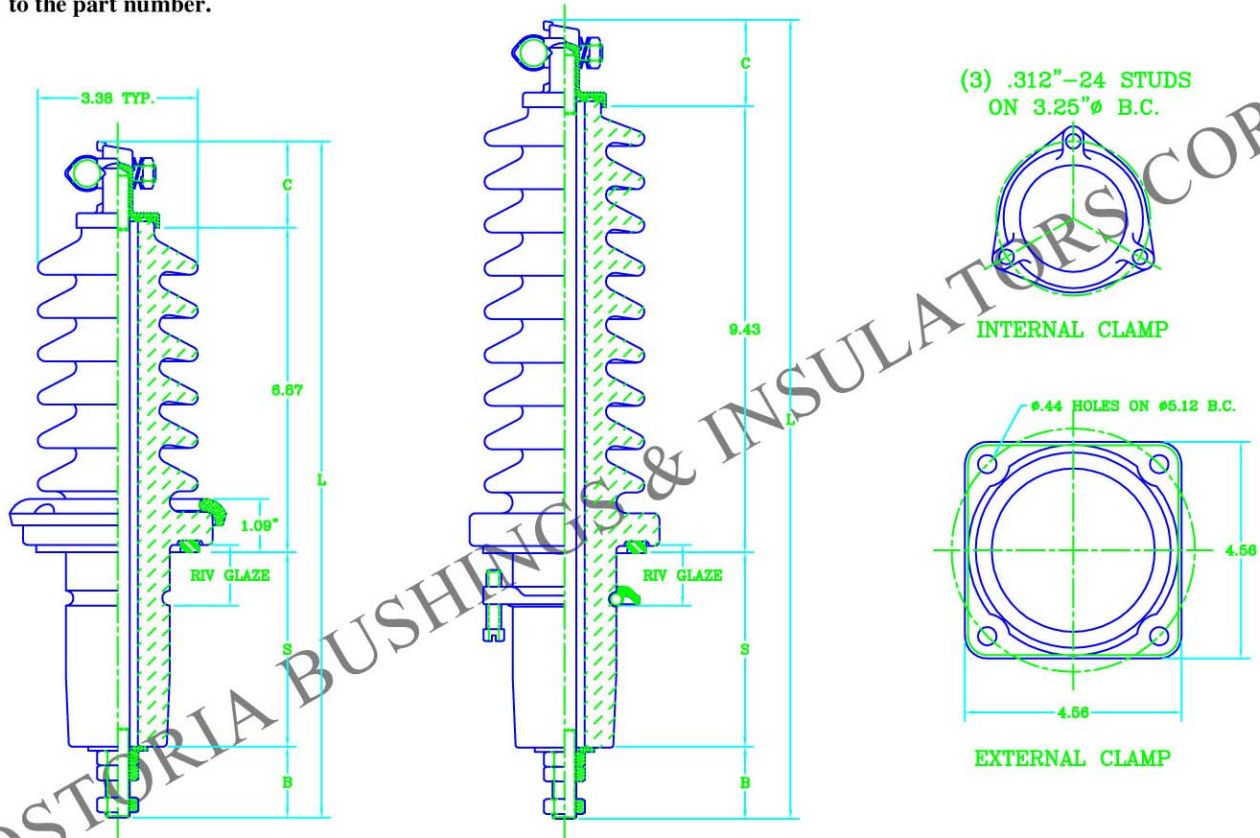


STANDARD BUSHING ASSEMBLIES FOR DISTRIBUTION TRANSFORMERS

For Mounting in 2.25" D. Tank Hole.

The electrical ratings given are based on use in a liquid filled transformer with the lower end of the bushing under oil level. Bushing is produced of top quality electrical grade wet process porcelain. Gray glaze is standard unless otherwise specified. Nitrile (Buna-N) gasket is standard. For ordering assemblies with the cork and rubber composition gaskets add the suffix "C" to the part number.



15kV CLASS, 110 kV BIL
Leakage Distance
Ext. Clamped 11" min.
Int. Clamped 12.5" min.

23 kV CLASS, 150 kV BIL
Leakage Distance
Ext. Clamped 17" min.
Int. Clamped 19.5" min.

PART NO.		KV CLASS	STUD SIZE AND THREAD	CURRENT RATING	EYEBOLT SIZE	DIMENSIONS IN INCHES			
EXT. CLAMPED	INT. CLAMPED					L	S	C	B
342110	342210	15	.375-16 UNC-2A	125 A	0.437	13.84	4.09	1.50	1.38
342111	342211	15	.375-16 UNC-2A	125 A	0.437	17.59	7.84	1.50	1.38
342112	342212	15	.375-16 UNC-2A	125 A	0.625	14.72	4.09	2.38	1.38
342113	342213	15	.375-16 UNC-2A	125 A	0.625	18.47	7.84	2.38	1.38
342116	342216	15	.500-13 UNC-2A	208 A	0.625	14.84	4.09	2.38	1.50
342117	342317	15	.500-13 UNC-2A	208 A	0.625	18.59	7.84	2.38	1.50
342120	342320	15	.625-18 UNF-2A	417 A	0.812	15.53	4.09	2.88	1.69
342121	342321	15	.625-18 UNF-2A	417 A	0.812	19.28	7.84	2.88	1.69
342310	342410	23	.375-16 UNC-2A	125 A	0.437	16.40	4.09	1.50	1.38
342311	342411	23	.375-16 UNC-2A	125 A	0.437	20.15	7.84	1.50	1.38
342312	342412	23	.375-16 UNC-2A	125 A	0.625	17.28	4.09	2.38	1.38
342313	342413	23	.375-16 UNC-2A	125 A	0.625	21.03	7.84	2.38	1.38
342316	342416	23	.500-13 UNC-2A	208 A	0.625	17.40	4.09	2.38	1.50
342317	342417	23	.500-13 UNC-2A	208 A	0.625	21.15	7.84	2.38	1.50
342320	342420	23	.625-18 UNF-2A	417 A	0.812	18.09	4.09	2.88	1.69
342321	342421	23	.625-18 UNF-2A	417 A	0.812	21.84	7.84	2.88	1.69