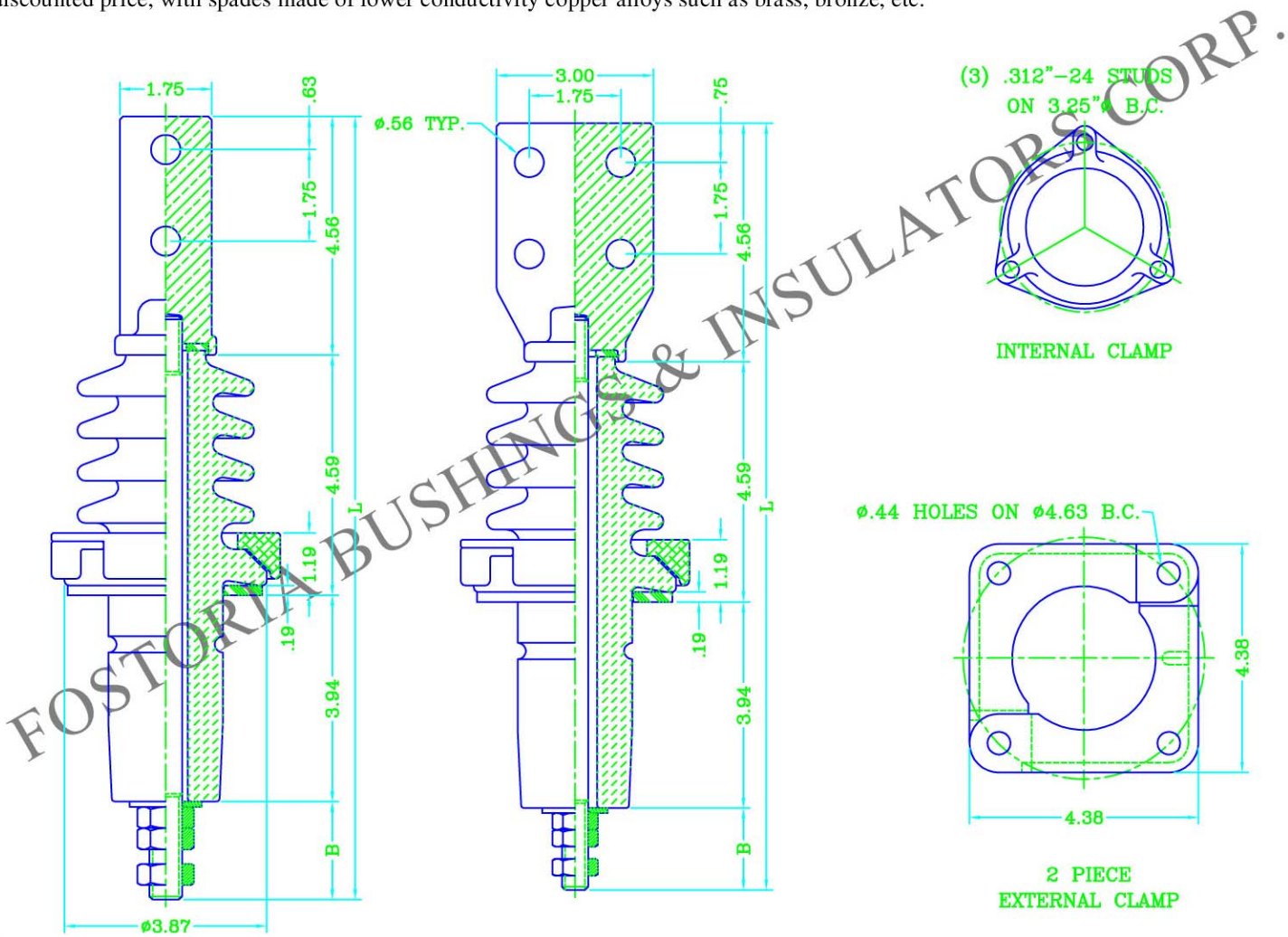


STANDARD BUSHING ASSEMBLIES FOR DISTRIBUTION TRANSFORMERS 8.7kV CLASS, 75kV B.I.L. For Mounting in 2.25" D. Tank Hole. Leakage Distance Ext. Clamped 7" min., Int. Clamped 8.5" min.

The electrical ratings given are based on use in a liquid filled transformer with the lower end of the bushing under oil level. Bushing is produced of top quality electrical grade wet process porcelain. Gray glaze is standard unless otherwise specified. Nitrile (Buna-N) gasket is standard. For ordering assemblies with the cork and rubber composition gaskets, add the suffix "C" to the part number. **All spade castings consist of 95% min. conductivity copper and are tin-plated.** Bushings can be furnished upon request at a discounted price, with spades made of lower conductivity copper alloys such as brass, bronze, etc.



PART NO.		STUD SIZE AND THREAD	CURRENT RATING	SPADE CONNECTOR		DIMENSIONS IN INCHES	
EXT. CLAMPED	INT. CLAMPED			TYPE	THICKNESS	L	B
342070	342071	.375-16 UNC-2A	125 A	2 HOLE, "B" TYPE	0.25	14.65	1.56
342072	342373	.500-13 UNC-2A	208 A	2 HOLE, "B" TYPE	0.25	14.65	1.56
342074	342075	.625-18 UNF-2A	417 A	2 HOLE, "B" TYPE	0.25	14.96	1.87
342076	342077	.750-16 UNF-2A	600 A	2 HOLE, "B" TYPE	0.25	14.96	1.87
342080	342081	.375-16 UNC-2A	125 A	4 HOLE, "H" TYPE	0.25	14.65	1.56
342082	342083	.500-13 UNC-2A	208 A	4 HOLE, "H" TYPE	0.25	14.65	1.56
342084	342085	.625-18 UNF-2A	417 A	4 HOLE, "H" TYPE	0.25	14.96	1.87
342086	342087	.750-16 UNF-2A	600 A	4 HOLE, "H" TYPE	0.25	14.96	1.87