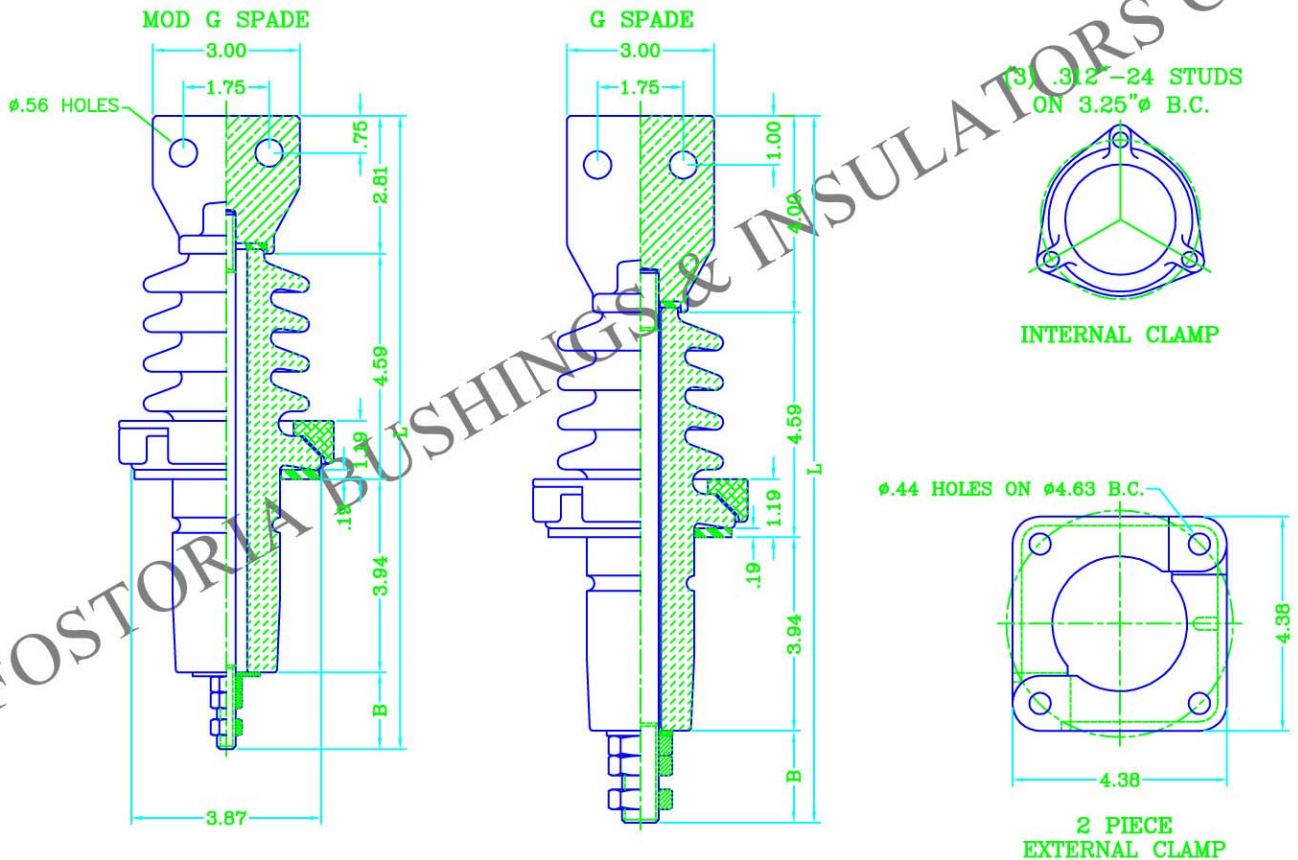


## STANDARD BUSHING ASSEMBLIES FOR DISTRIBUTION TRANSFORMERS 8.7kV CLASS, 75kV B.I.L. For Mounting in 2.25" D. Tank Hole. Leakage Distance Ext. Clamped 7" min., Int. Clamped 8.5" min.

The electrical ratings given are based on use in a liquid filled transformer with the lower end of the bushing under oil level. Bushing is produced of top quality electrical grade wet process porcelain. Gray glaze is standard unless otherwise specified. Nitrile (Buna-N) gasket is standard. For ordering assemblies with the cork and rubber composition gaskets, add the suffix "C" to the part number. **All spade castings consist of 95% min. conductivity copper and are tin-plated.** Bushings can be furnished upon request at a discounted price, with spades made of lower conductivity copper alloys such as brass, bronze, etc.



PART NO.		STUD SIZE AND THREAD	CURRENT RATING	SPADE CONNECTOR		DIMENSIONS IN INCHES	
EXT. CLAMPED	INT. CLAMPED			TYPE	THICKNESS	L	B
342030	342031	.375-16 UNC-2A	125 A	MODIFIED G	0.25	12.91	1.56
342032	342333	.500-13 UNC-2A	208 A	MODIFIED G	0.25	12.91	1.56
342034	342035	.625-18 UNF-2A	417 A	MODIFIED G	0.25	13.22	1.87
342036	342037	.750-16 UNF-2A	600 A	MODIFIED G	0.25	13.22	1.87
342040	342041	.375-16 UNC-2A	125 A	G	0.25	14.09	1.56
342042	342043	.500-13 UNC-2A	208 A	G	0.25	14.09	1.56
342044	342045	.625-18 UNF-2A	417 A	G	0.25	14.40	1.87
342046	342047	.750-16 UNF-2A	600 A	G	0.25	14.40	1.87