

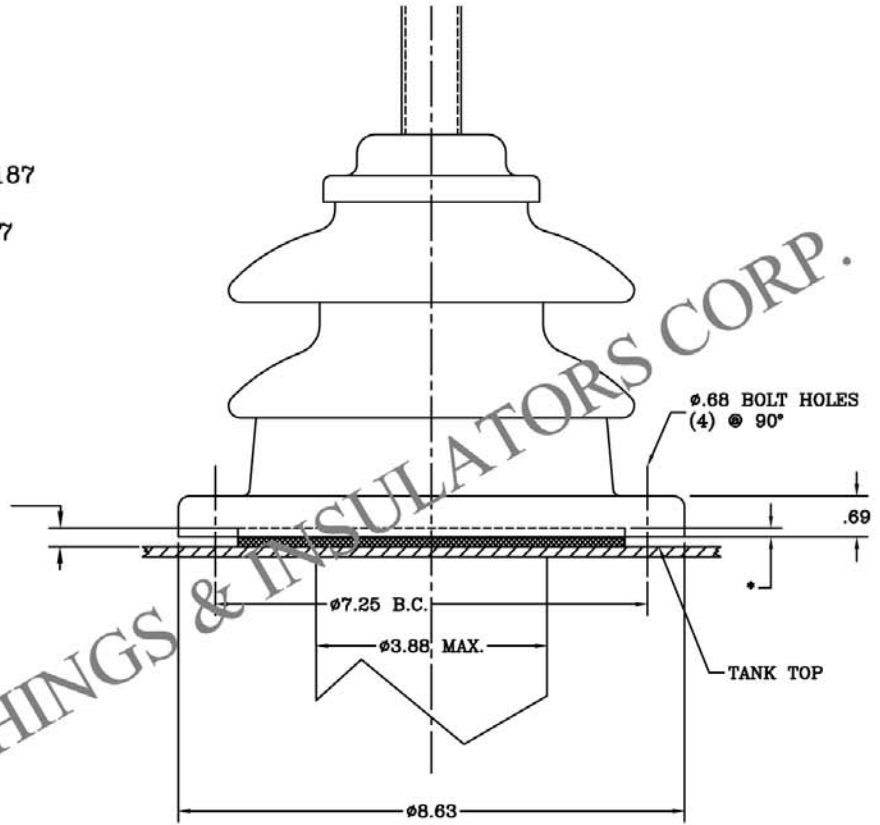
**POWER BUSHING ASSEMBLIES
5kV THROUGH 46 kV CLASS**

FLANGE DETAIL

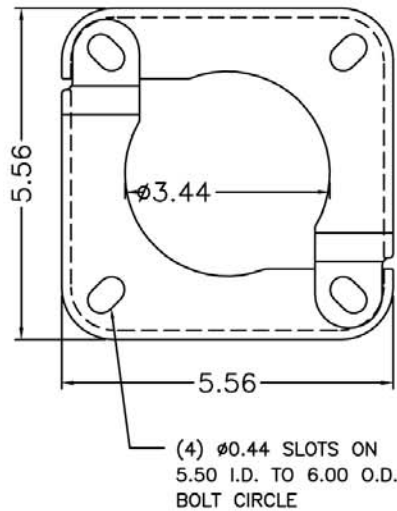
***GASKET SEAT DEPTH:**
 STANDARD BUSHINGS:
 5kV THROUGH 34.5kV - .187
 DRAW-LEAD BUSHINGS:
 5kV THROUGH 46kV - .187
 SPECIAL GASKET SEAT
 AVAILABLE UPON REQUEST

GASKET O.D. - 6.25

THICKNESS:
 .25 BEFORE COMPRESSION
 .17 TO .19 AFTER COMP.



2 PIECE EXTERNAL CLAMP DETAIL



(4) $\phi 0.44$ SLOTS ON
 5.50 I.D. TO 6.00 O.D.
 BOLT CIRCLE