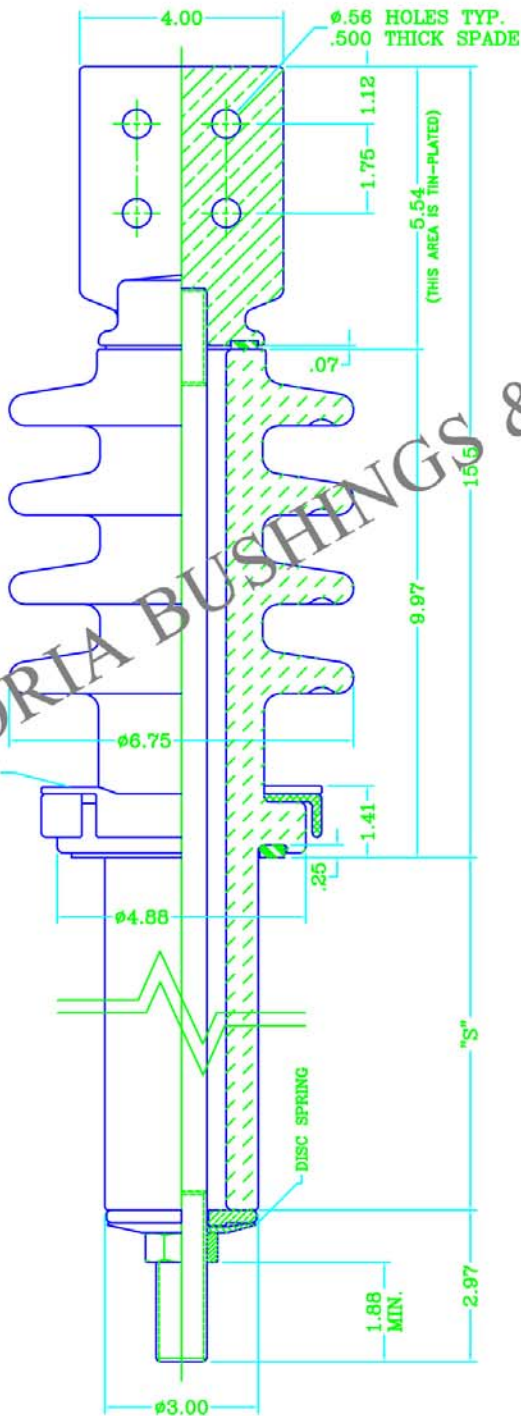


POWER BUSHING ASSEMBLIES
23kV CLASS, 150kV BIL, 19.50" CREEP

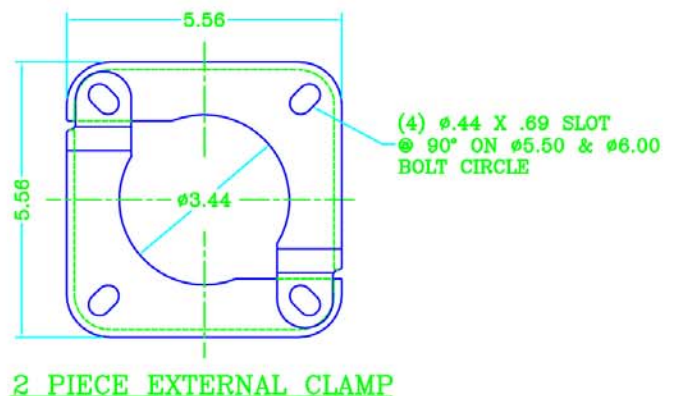
These bushings are designed for transformer and special power apparatus applications. **The electrical ratings given are based on use in a liquid filled transformer with the lower end of the bushing under oil.** Porcelain is gray glazed all over and the top skirts are designed for outdoor application.

Spade casting is pure copper and tin-plated. 97% min. electrical conductivity guaranteed. Clamps and washers are non-magnetic. Constant gasket pressure to top terminal is maintained by disc springs to compensate for the thermal expansion and contraction of the copper stud. Nitrile (Buna-N) gasket is standard. For ordering assemblies with the cork-rubber composition gaskets, add the suffix "C" to the part number.

Bushings are designed for mounting in $\phi 3.13$ (min.) hole.



| STUD SIZE | PART NO. | "L" | "S" |
|---------------------------|----------|-------|-------|
| .500-13 UNC-2A 208A | 354700 | 25.38 | 6.91 |
| | 354702 | 32.38 | 13.91 |
| | 354703 | 39.38 | 20.91 |
| | 354704 | 42.38 | 23.91 |
| .625-18 UNF-2A 417A | 354705 | 25.38 | 6.91 |
| | 354707 | 32.38 | 13.91 |
| | 354708 | 39.38 | 20.91 |
| .750-16 UNF-2A 600A | 354709 | 42.38 | 23.91 |
| | 354710 | 25.38 | 6.91 |
| | 354712 | 32.38 | 13.91 |
| 1.000-14 UNS-2A 800A | 354713 | 39.38 | 20.91 |
| | 354714 | 42.38 | 23.91 |
| | 354715 | 25.38 | 6.91 |
| 1.125-12 UNF-2A 1000A | 354717 | 32.38 | 13.91 |
| | 354718 | 39.38 | 20.91 |
| | 354719 | 42.38 | 23.91 |
| 1.250-12 UNF-2A 1200A | 354720 | 25.38 | 6.91 |
| | 354722 | 32.38 | 13.91 |
| | 354723 | 39.38 | 20.91 |
| 1.500-12 UNF-2A 1700 A | 354724 | 42.38 | 23.91 |
| | 354725 | 25.38 | 6.91 |
| | 354727 | 32.38 | 13.91 |
| 1.625-12 UN-2A 2000A | 354728 | 39.38 | 20.91 |
| | 354729 | 42.38 | 23.91 |
| | 354730 | 25.38 | 6.91 |
| 1.625-12 UN-2A 2000A | 354732 | 32.38 | 13.91 |
| | 354733 | 39.38 | 20.91 |
| | 354734 | 42.38 | 23.91 |
| 1.625-12 UN-2A 2000A | 354735 | 25.38 | 6.91 |
| | 354737 | 32.38 | 13.91 |
| | 354738 | 39.38 | 20.91 |
| 1.625-12 UN-2A 2000A | 354739 | 42.38 | 23.91 |



FOSTORIA BUSHINGS & INSULATORS CORP.