

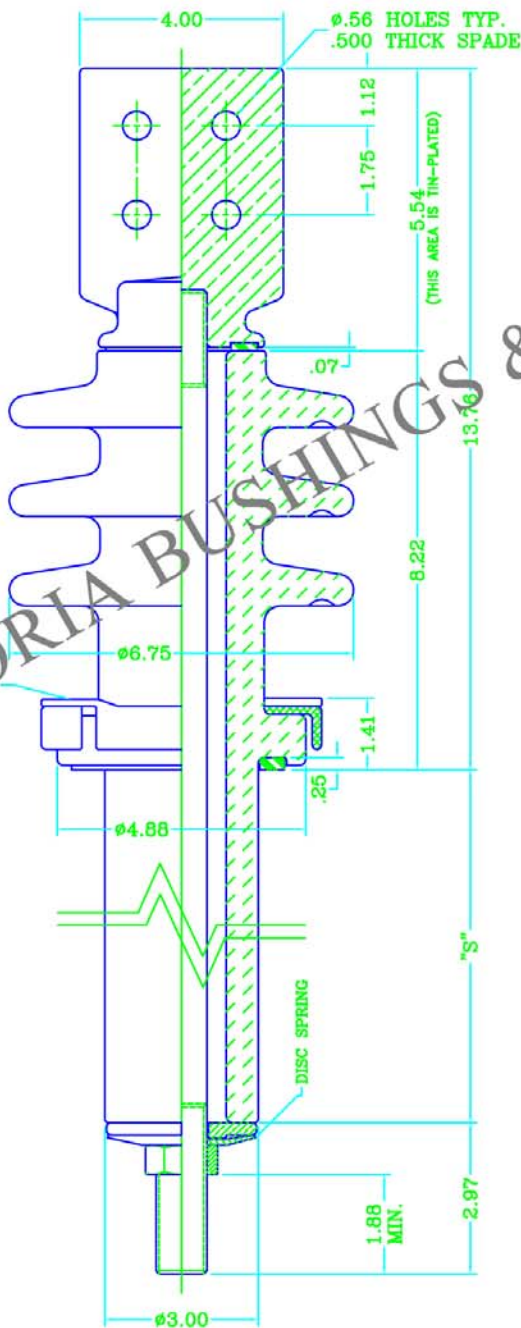
POWER BUSHING ASSEMBLIES

15kV CLASS, 110kV BIL, 15.00" CREEP

These bushings are designed for transformer and special power apparatus applications. **The electrical ratings given are based on use in a liquid filled transformer with the lower end of the bushing under oil.** Porcelain is gray glazed all over and the top skirts are designed for outdoor application.

Spade casting is pure copper and tin-plated. 97% min. electrical conductivity guaranteed. Clamps and washers are non-magnetic. Constant gasket pressure to top terminal is maintained by disc springs to compensate for the thermal expansion and contraction of the copper stud. Nitrile (Buna-N) gasket is standard. For ordering assemblies with the cork-rubber composition gaskets, add the suffix "C" to the part number.

Bushings are designed for mounting in $\phi 3.13$ (min.) hole.



STUD SIZE	PART NO.	"L"	"S"
.500-13 UNC-2A 208A	353700	23.63	6.91
	353702	30.63	13.91
	353703	37.63	20.91
	353704	40.63	23.91
.625-18 UNF-2A 417A	353705	23.63	6.91
	353707	30.63	13.91
	353708	37.63	20.91
.750-16 UNF-2A 600A	353709	40.63	23.91
	353710	23.63	6.91
	353712	30.63	13.91
1.000-14 UNS-2A 800A	353713	37.63	20.91
	353714	40.63	23.91
	353715	23.63	6.91
	353717	30.63	13.91
1.125-12 UNF-2A 1000A	353718	37.63	20.91
	353719	40.63	23.91
	353720	23.63	6.91
1.250-12 UNF-2A 1200A	353722	30.63	13.91
	353723	37.63	20.91
	353724	40.63	23.91
1.500-12 UNF-2A 1700 A	353725	23.63	6.91
	353727	30.63	13.91
	353728	37.63	20.91
	353729	40.63	23.91
1.625-12 UN-2A 2000A	353730	23.63	6.91
	353732	30.63	13.91
	353733	37.63	20.91
	353734	40.63	23.91
	353735	23.63	6.91
	353737	30.63	13.91
	353738	37.63	20.91
	353739	40.63	23.91

