

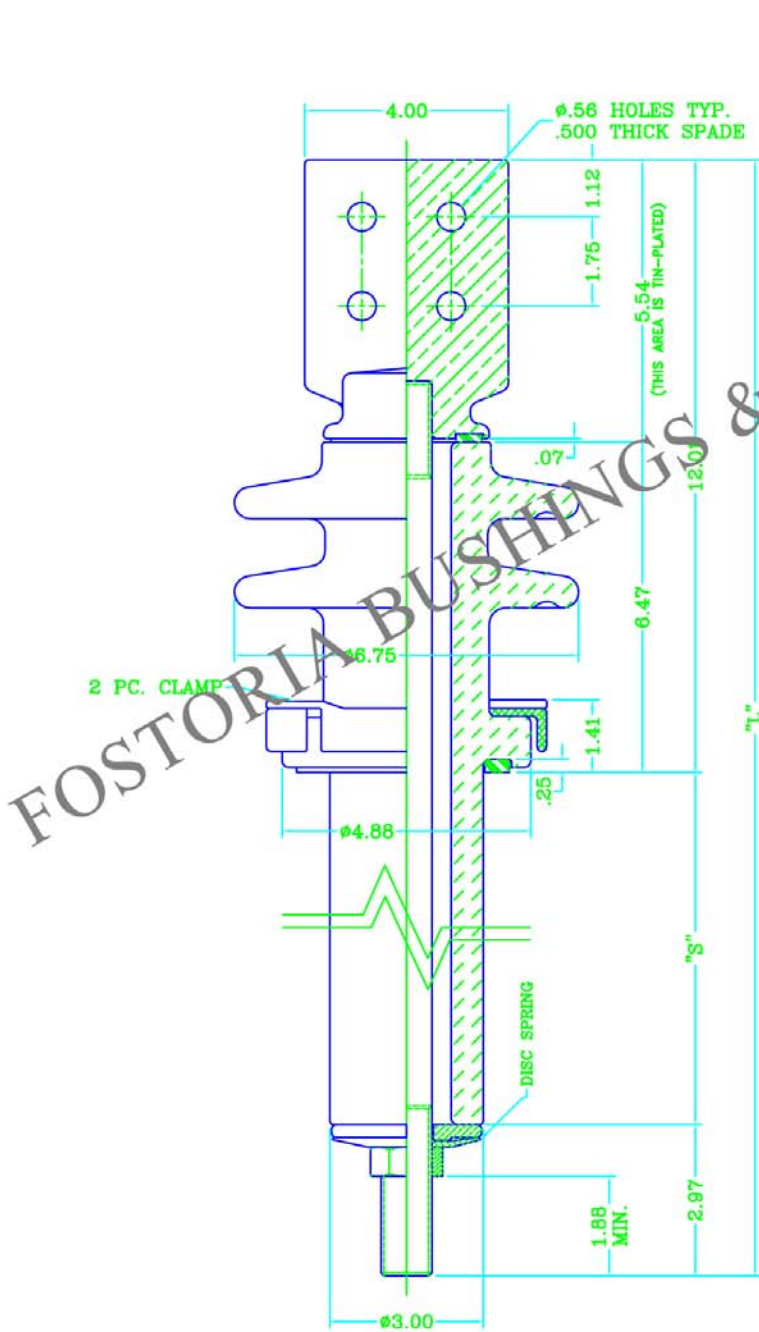
# POWER BUSHING ASSEMBLIES

## 8.7kV CLASS, 95kV BIL, 10.25" CREEP

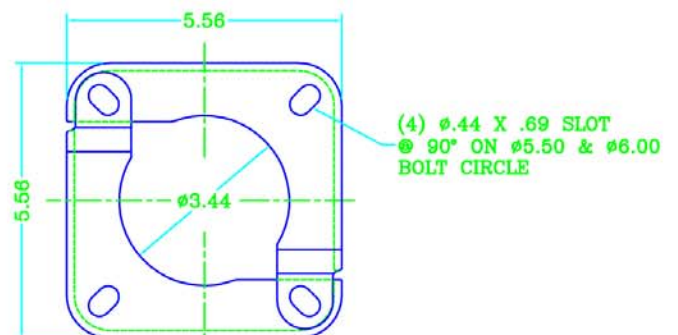
These bushings are designed for transformer and special power apparatus applications. **The electrical ratings given are based on use in a liquid filled transformer with the lower end of the bushing under oil.** Porcelain is gray glazed all over and the top skirts are designed for outdoor application.

**Spade casting is pure copper and tin-plated. 97% min. electrical conductivity guaranteed.** Clamps and washers are non-magnetic. Constant gasket pressure to top terminal is maintained by disc springs to compensate for the thermal expansion and contraction of the copper stud. Nitrile (Buna-N) gasket is standard. For ordering assemblies with the cork-rubber composition gaskets, add the suffix "C" to the part number.

Bushings are designed for mounting in  $\phi 3.13$  (min.) hole.



STUD SIZE	PART NO.	"L"	"S"
.500-13 UNC-2A 208A	352700	21.88	6.91
	352702	28.88	13.91
	352703	35.88	20.91
	352704	38.88	23.91
.625-18 UNF-2A 417A	352705	21.88	6.91
	352707	28.88	13.91
	352708	35.88	20.91
	352709	38.88	23.91
.750-16 UNF-2A 600A	352710	21.88	6.91
	352712	28.88	13.91
	352713	35.88	20.91
	352714	38.88	23.91
1.000-14 UNS-2A 800A	352715	21.88	6.91
	352717	28.88	13.91
	352718	35.88	20.91
	352719	38.88	23.91
1.125-12 UNF-2A 1000A	352720	21.88	6.91
	352722	28.88	13.91
	352723	35.88	20.91
1.250-12 UNF-2A 1200A	352724	38.88	23.91
	352725	21.88	6.91
	352727	28.88	13.91
1.500-12 UNF-2A 1700 A	352728	35.88	20.91
	352729	38.88	23.91
	352730	21.88	6.91
1.625-12 UN-2A 2000A	352732	28.88	13.91
	352733	35.88	20.91
	352734	38.88	23.91
	352735	21.88	6.91
	352737	28.88	13.91
	352738	35.88	20.91
	352739	38.88	23.91



2 PIECE EXTERNAL CLAMP