

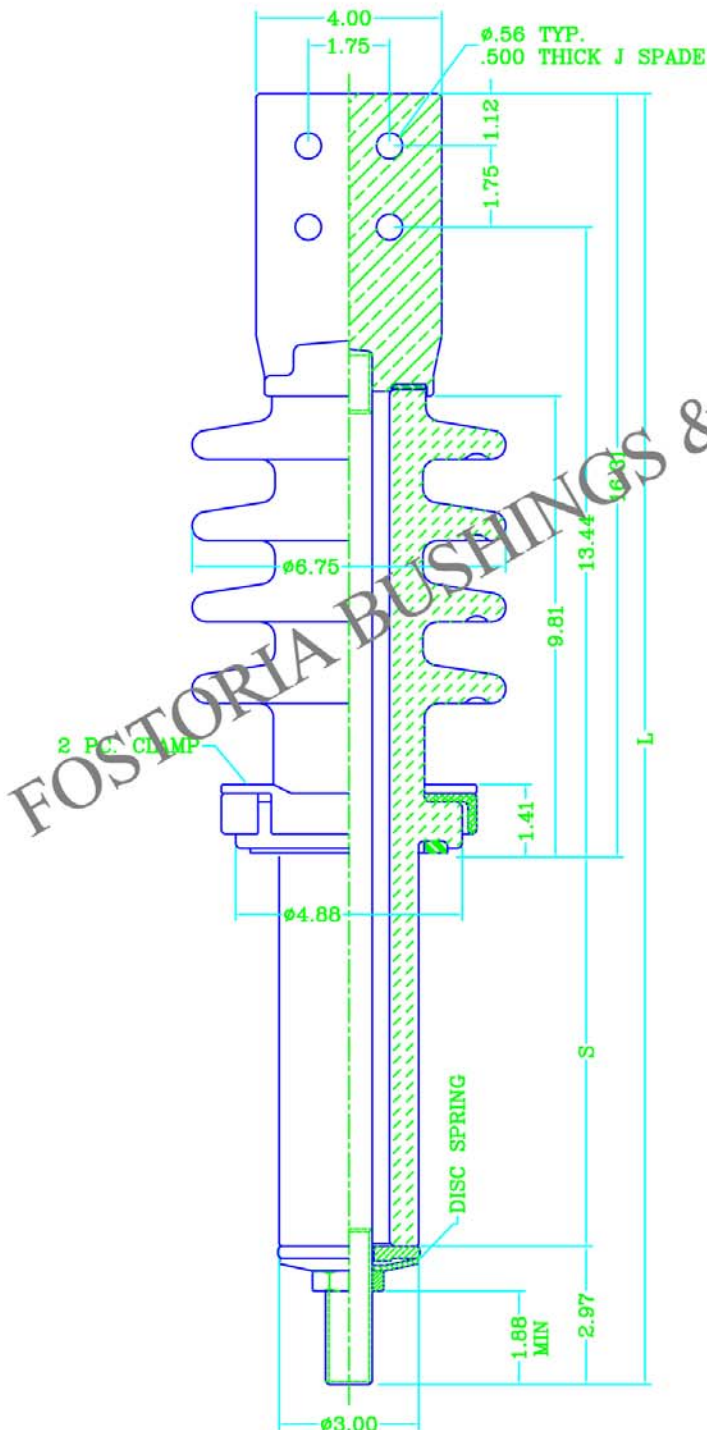
POWER BUSHING ASSEMBLIES

23kV CLASS, 150kV BIL, 19.50" CREEP

These bushings are designed for transformer and special power apparatus applications. **The electrical ratings given are based on use in a liquid filled transformer with the lower end of the bushing under oil.** Porcelain is gray glazed all over and the top skirts are designed for outdoor application.

Clamps and washers are non-magnetic. Constant gasket pressure to top terminal is maintained by disc springs to compensate for the thermal expansion and contraction of the copper stud. Nitrile (Buna-N) gasket is standard. For ordering assemblies with the cork-rubber composition gaskets, add the suffix "C" to the part number.

Bushings are designed for mounting in $\phi 3.13$ (min.) hole.



STUD SIZE	PART NO.	"L"	"S"
.500-13 UNC-2A 208A	354400	26.25	6.91
	354402	33.25	13.91
	354403	40.25	20.91
	354404	43.25	23.91
.625-18 UNF-2A 417A	354405	26.25	6.91
	354407	33.25	13.91
	354408	40.25	20.91
.750-16 UNF-2A 600A	354409	43.25	23.91
	354410	26.25	6.91
	354412	33.25	13.91
	354413	40.25	20.91
1.000-14 UNS-2A 800A	354414	43.25	23.91
	354415	26.25	6.91
	354417	33.25	13.91
1.125-12 UNF-2A 1000A	354418	40.25	20.91
	354419	43.25	23.91
	354420	26.25	6.91
1.250-12 UNF-2A 1200A	354422	33.25	13.91
	354423	40.25	20.91
	354424	43.25	23.91
1.500-12 UNF-2A 1700 A	354425	26.25	6.91
	354427	33.25	13.91
	354428	40.25	20.91
1.625-12 UN-2A 2000A	354429	43.25	23.91
	354430	26.25	6.91
	354432	33.25	13.91
1.500-12 UNF-2A 1700 A	354433	40.25	20.91
	354434	43.25	23.91
	354435	26.25	6.91
	354437	33.25	13.91
	354438	40.25	20.91
	354439	43.25	23.91
	354439	43.25	23.91

