

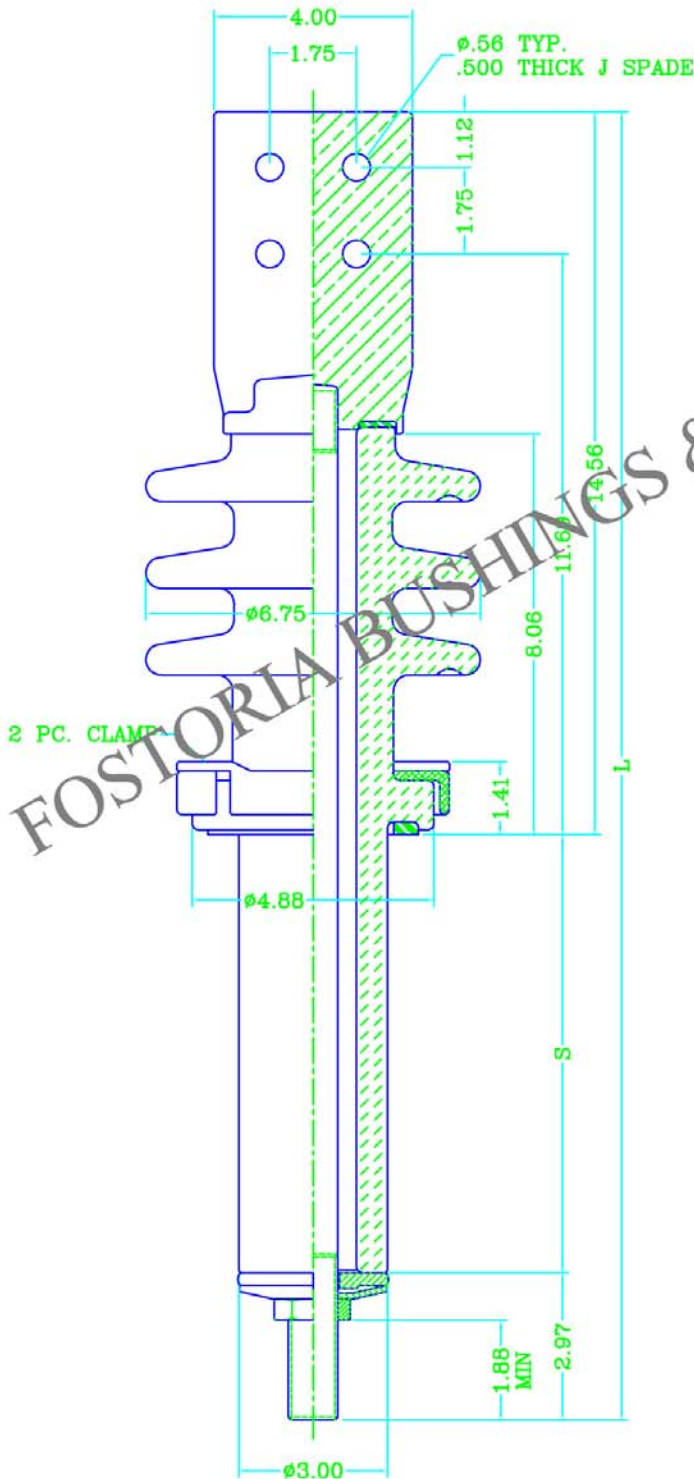
POWER BUSHING ASSEMBLIES

15kV CLASS, 110kV BIL, 15.00" CREEP

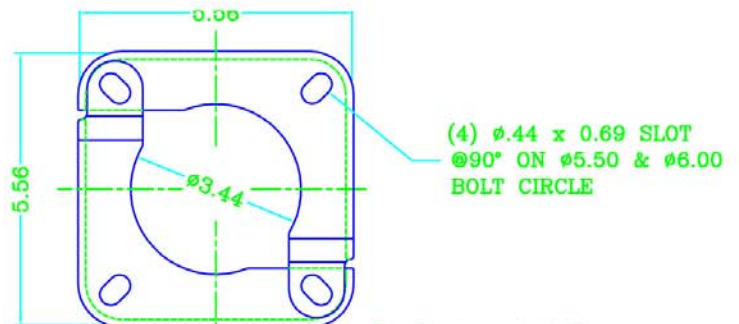
These bushings are designed for transformer and special power apparatus applications. **The electrical ratings given are based on use in a liquid filled transformer with the lower end of the bushing under oil.** Porcelain is gray glazed all over and the top skirts are designed for outdoor application.

Clamps and washers are non-magnetic. Constant gasket pressure to top terminal is maintained by disc springs to compensate for the thermal expansion and contraction of the copper stud. Nitrile (Buna-N) gasket is standard. For ordering assemblies with the cork-rubber composition gaskets, add the suffix "C" to the part number.

Bushings are designed for mounting in $\phi 3.13$ (min.) hole.



STUD SIZE	PART NO.	"L"	"S"
.500-13 UNC-2A 208A	353400	24.50	6.91
	353402	31.50	13.91
	353403	38.50	20.91
	353404	41.50	23.91
.625-18 UNF-2A 417A	353405	24.50	6.91
	353407	31.50	13.91
	353408	38.50	20.91
.750-18 UNF-2A 600A	353409	41.50	23.91
	353410	24.50	6.91
	353412	31.50	13.91
1.000-14 UNS-2A 800A	353413	38.50	20.91
	353414	41.50	23.91
	353415	24.50	6.91
1.125-12 UNF-2A 1000A	353417	31.50	13.91
	353418	38.50	20.91
	353419	41.50	23.91
1.250-12 UNF-2A 1200A	353420	24.50	6.91
	353422	31.50	13.91
	353423	38.50	20.91
1.500-12 UNF-2A 1700 A	353424	41.50	23.91
	353425	24.50	6.91
	353427	31.50	13.91
1.625-12 UN-2A 2000A	353428	38.50	20.91
	353429	41.50	23.91
	353430	24.50	6.91
	353432	31.50	13.91
	353433	38.50	20.91
	353434	41.50	23.91
	353435	24.50	6.91
	353437	31.50	13.91
	353438	38.50	20.91
	353439	41.50	23.91



Rev.2, August 1999

2 PIECE EXTERNAL CLAMP