

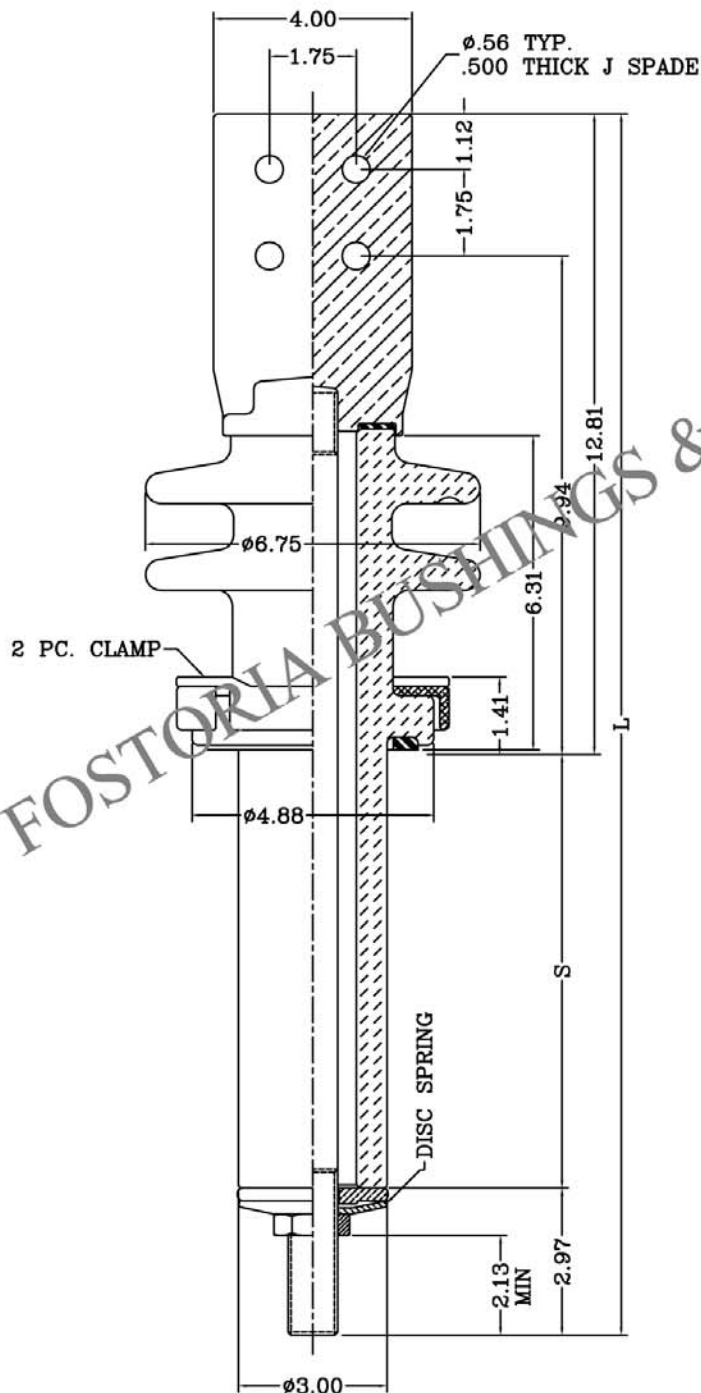
POWER BUSHING ASSEMBLIES

8.7kV CLASS, 95kV BIL, 10.25" CREEP

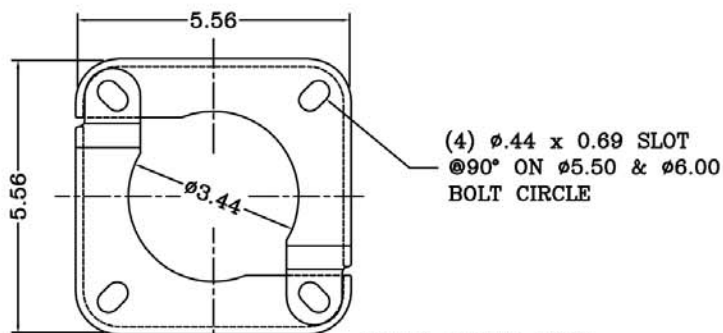
These bushings are designed for transformer and special power apparatus applications. **The electrical ratings given are based on use in a liquid filled transformer with the lower end of the bushing under oil.** Porcelain is gray glazed all over and the top skirts are designed for outdoor application.

Clamps and washers are non-magnetic. Constant gasket pressure to top terminal is maintained by disc springs to compensate for the thermal expansion and contraction of the copper stud. Nitrile (Buna-N) gasket is standard. For ordering assemblies with the cork-rubber composition gaskets, add the suffix "C" to the part number.

Bushings are designed for mounting in $\phi 3.13$ (min.) hole.



STUD SIZE	PART NO.	"L"	"S"
.500-13 UNC-2A 208A	352400	22.75	6.91
	352402	26.75	13.91
	352403	33.75	20.91
	352404	39.75	23.91
.625-18 UNF-2A 417A	352405	22.75	6.91
	352407	29.75	13.91
	352408	36.75	20.91
.750-18 UNF-2A 600A	352409	39.75	23.91
	352410	22.75	6.91
	352412	29.75	13.91
	352413	36.75	20.91
1.000-14 UNS-2A 800A	352414	39.75	23.91
	352415	22.75	6.91
	352417	29.75	13.91
1.125-12 UNF-2A 1000A	352418	36.75	20.91
	352419	39.75	23.91
	352420	22.75	6.91
	352422	29.75	13.91
1.250-12 UNF-2A 1200A	352423	36.75	20.91
	352424	39.75	23.91
	352425	22.75	6.91
1.500-12 UNF-2A 1700 A	352427	29.75	13.91
	352428	36.75	20.91
	352429	39.75	23.91
1.625-12 UN-2A 2000A	352430	22.75	6.91
	352432	29.75	13.91
	352433	36.75	20.91
	352434	39.75	23.91
	352435	22.75	6.91
	352437	29.75	13.91
	352438	36.75	20.91
	352439	39.75	23.91



Rev.2, August 1999
2 PIECE EXTERNAL CLAMP