

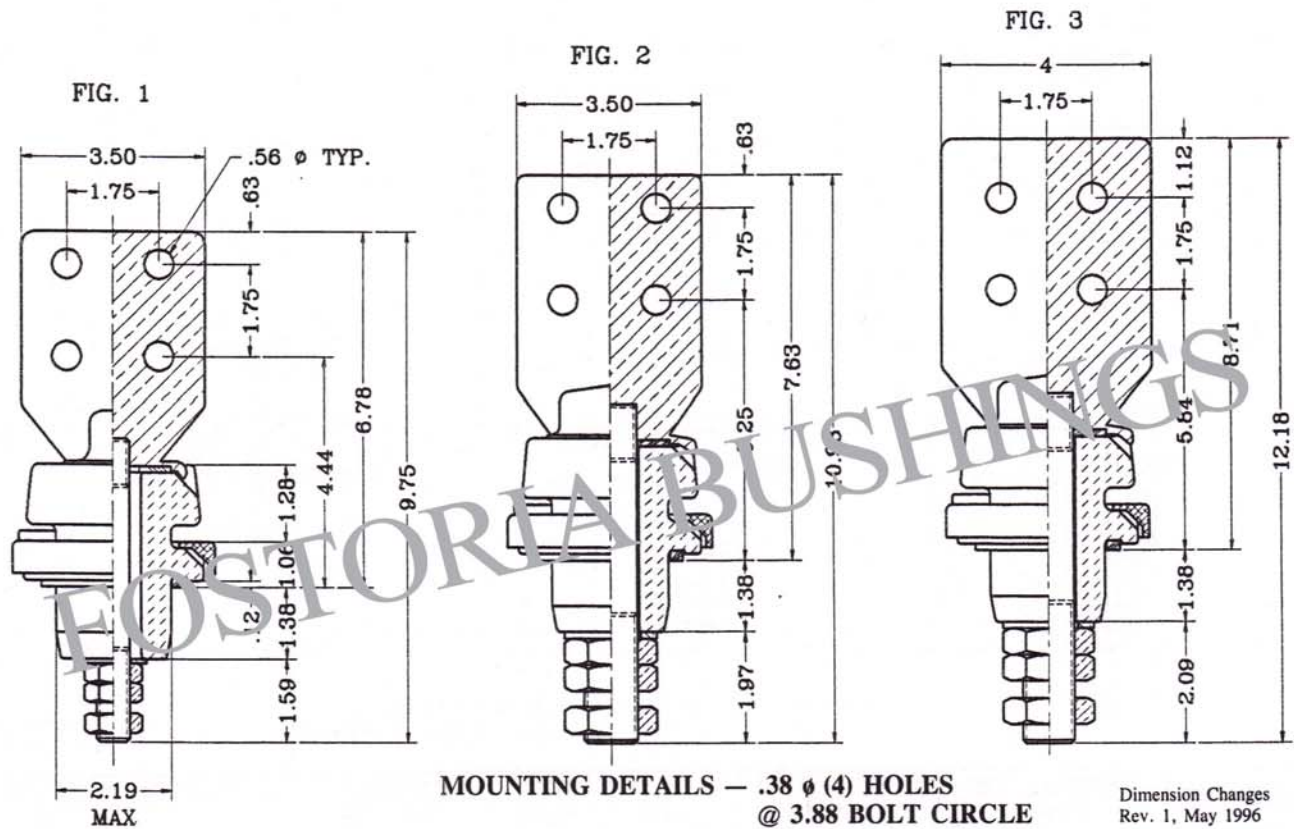
**STANDARD LOW VOLTAGE BUSHING ASSEMBLIES
1.2 KV CLASS, 30 KV BIL
EXTERNALLY CLAMPED TYPE**

The electrical ratings given are based on use in a liquid filled transformer with the lower end of the bushing under oil level. Bushing is produced of top quality electrical grade wet process porcelain. Gray glaze is standard unless otherwise specified. Nitrile(Buna-N) gasket is standard. For ordering assemblies with the cork and rubber composition gaskets add the suffix "C" to the part number.

All spade castings consist of 95% min. conductivity copper and are tin plated. Bushings can be furnished upon request at a discounted price, with spades made of lower conductivity copper alloys such as brass, bronze etc.

Bushings are designed for mounting in 2.25" diameter hole.

The bushing is keyed to the 2 piece clamp and the connector is keyed to the porcelain insulator to prevent rotation.



| PART NO. | FIGURE NO. | CONNECTOR TYPE | CONNECTOR THICKNESS | STUD SIZE AND THREAD | CURRENT RATING |
|----------|------------|----------------|---------------------|----------------------|----------------|
| 300410 | 1 | H SPADE | 0.25 | 0.500-13 UNC-2A | 208 A |
| 300411 | 1 | H SPADE | 0.25 | 0.625-18 UNF-2A | 417 A |
| 300412 | 2 | H SPADE | 0.38 | 0.750-16 UNF-2A | 600 A |
| 300413 | 2 | H SPADE | 0.38 | 1.000-14 UNS-2A | 800 A |
| 300422 | 3 | J SPADE | 0.38 | 0.750-16 UNF-2A | 600 A |
| 300423 | 3 | J SPADE | 0.38 | 1.000-14 UNS-2A | 800 A |