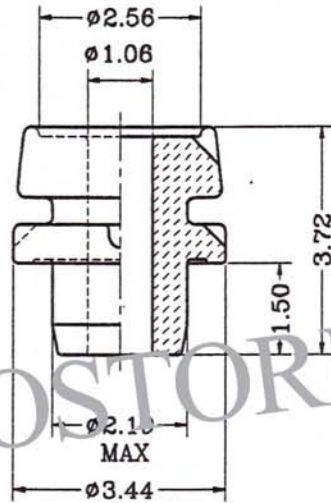


**L.V. PORCELAIN, 1.2 kV CLASS, 30 kV BIL
Externally Clamped Type**

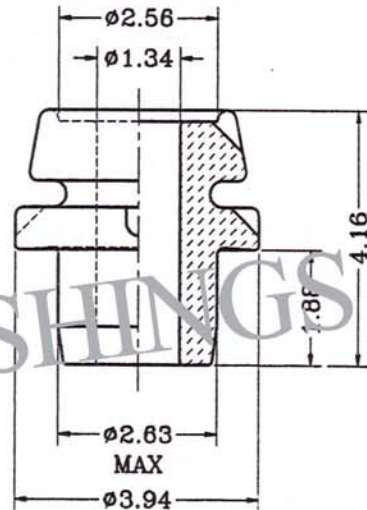
All bushings are made of electrical grade wet-process porcelain. The entire porcelain surface of the bushing that will be exposed after assembly is glazed. Gray glaze (Munsell 5 BG 7.0/.04) is standard. Other colors available.

**REPLACEMENT PORCELAIN
FOR 3004XX SERIES BUSHINGS**



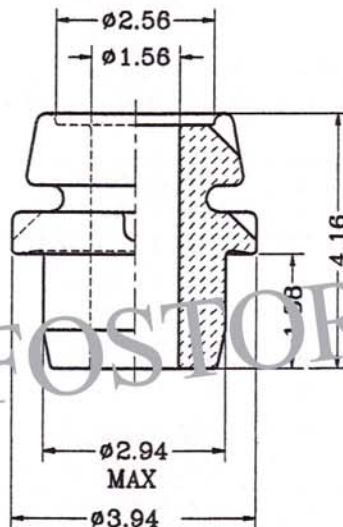
PART NO. 231110

**REPLACEMENT PORCELAIN
FOR 3005XX SERIES BUSHINGS**



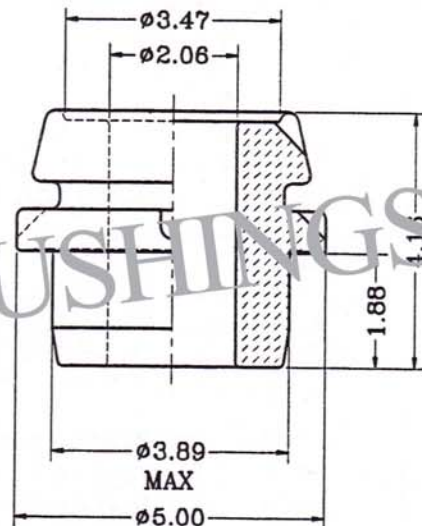
PART NO. 231111

**REPLACEMENT PORCELAIN
FOR 3006XX SERIES BUSHINGS**



PART NO. 231112

**REPLACEMENT PORCELAIN
FOR 3007XX SERIES BUSHINGS**



PART NO. 231113