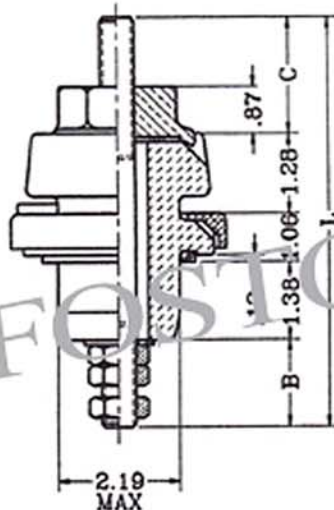


## STANDARD LOW VOLTAGE BUSHING ASSEMBLIES 1.2 KV CLASS, 30 KV BIL EXTERNALLY CLAMPED TYPE

The electrical ratings given are based on use in a liquid filled transformer with the lower end of the bushing under oil level. Bushing is produced of top quality electrical grade wet process porcelain. Gray glaze is standard unless otherwise specified. Nitrile(Buna-N) gasket is standard. For ordering assemblies with the cork and rubber composition gaskets add the suffix "C" to the part number.

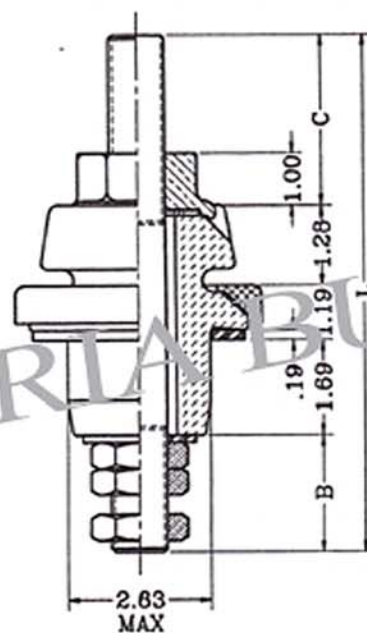
Bushings are designed for mounting in 2.25" (Fig. 1), 2.69" (Fig. 2), 3.06" (Fig. 3), minimum diameter hole. The bushing is keyed to the 2 piece clamp and the connector is keyed to the porcelain insulator to prevent rotation.

FIG. 1



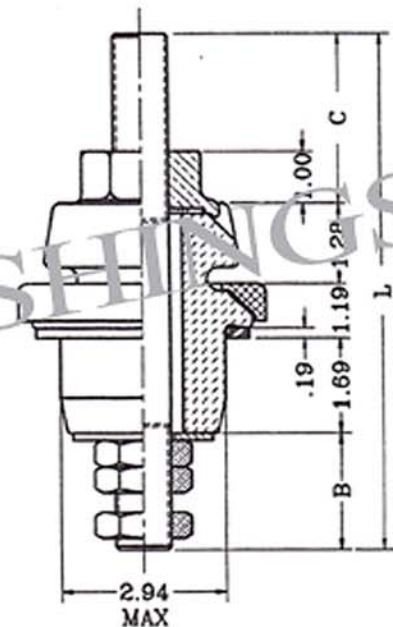
**MOUNTING DETAILS**  
.38  $\phi$  (4) HOLES  
@ 3.88 BOLT CIRCLE

FIG. 2



**MOUNTING DETAILS**  
.44  $\phi$  (4) HOLES  
@ 4.63 BOLT CIRCLE

FIG. 3



**MOUNTING DETAILS**  
.44  $\phi$  (4) HOLES  
@ 4.63 BOLT CIRCLE

Dimension Changes  
Rev. 1, May 1996

PART NO.	FIGURE NO.	STUD SIZE AND THREAD	CURRENT RATING	DIMENSION IN INCHES		
				L	C	B
300491	1	0.625-18 UNF-2A	417 A	8.25	2.28	2.25
300492	1	0.750-16 UNF-2A	600 A	8.25	2.28	2.25
300592	2	0.750-16 UNF-2A	600 A	8.87	2.37	2.34
300593	2	1.000-14 UNS-2A	800 A	9.44	2.62	2.66
300595	2	1.250-12 UNF-2A	1200 A	9.44	2.26 <del>2.62</del>	2.66
300693	3	1.000-14 UNS-2A	800 A	9.44	2.62	2.66
300695	3	1.250-12 UNF-2A	1200 A	9.44	2.62	2.66
300696	3	1.500-12 UNF-2A	1600 A	9.44	2.62	2.66